

2

1

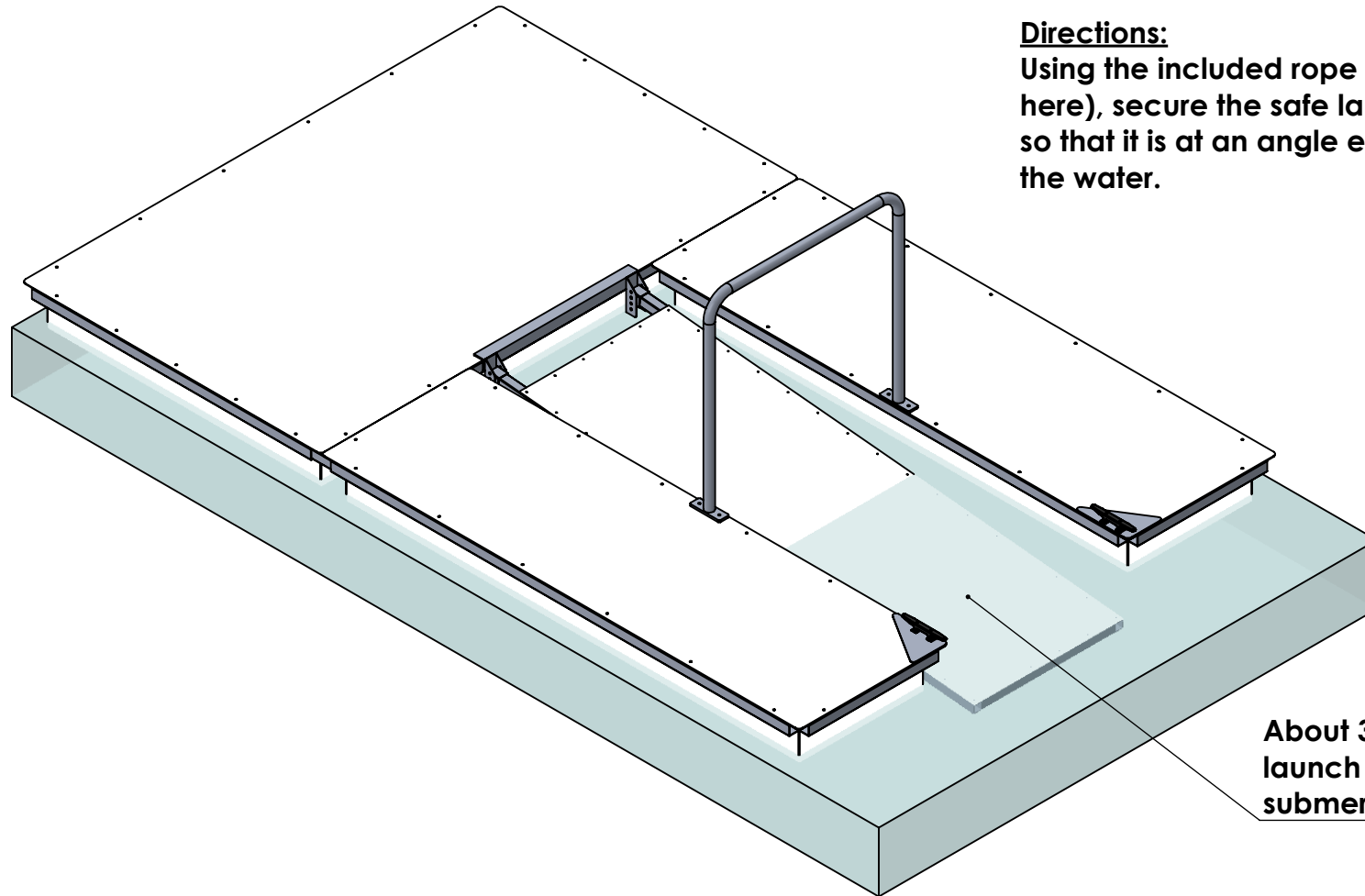
Safe Launch User Instructions

Step 1

"Setting Up to Launch"

Directions:

Using the included rope (Rope is not shown here), secure the safe launch to the cleats so that it is at an angle extending down into the water.



About 3 feet of the safe launch should be submerged as shown here.

B

B

A

A

PART: Safe Launches

REF #: ACC - SF

REV 1	DRAWN: C. DiBiasio
SCALE: 1:25	CHECKED: J. Harrison
SHEET 1 OF 5	DATE: 01/18/16



Your First Choice for Floating Dock Solutions

2

1

2

1

Safe Launch User Instructions

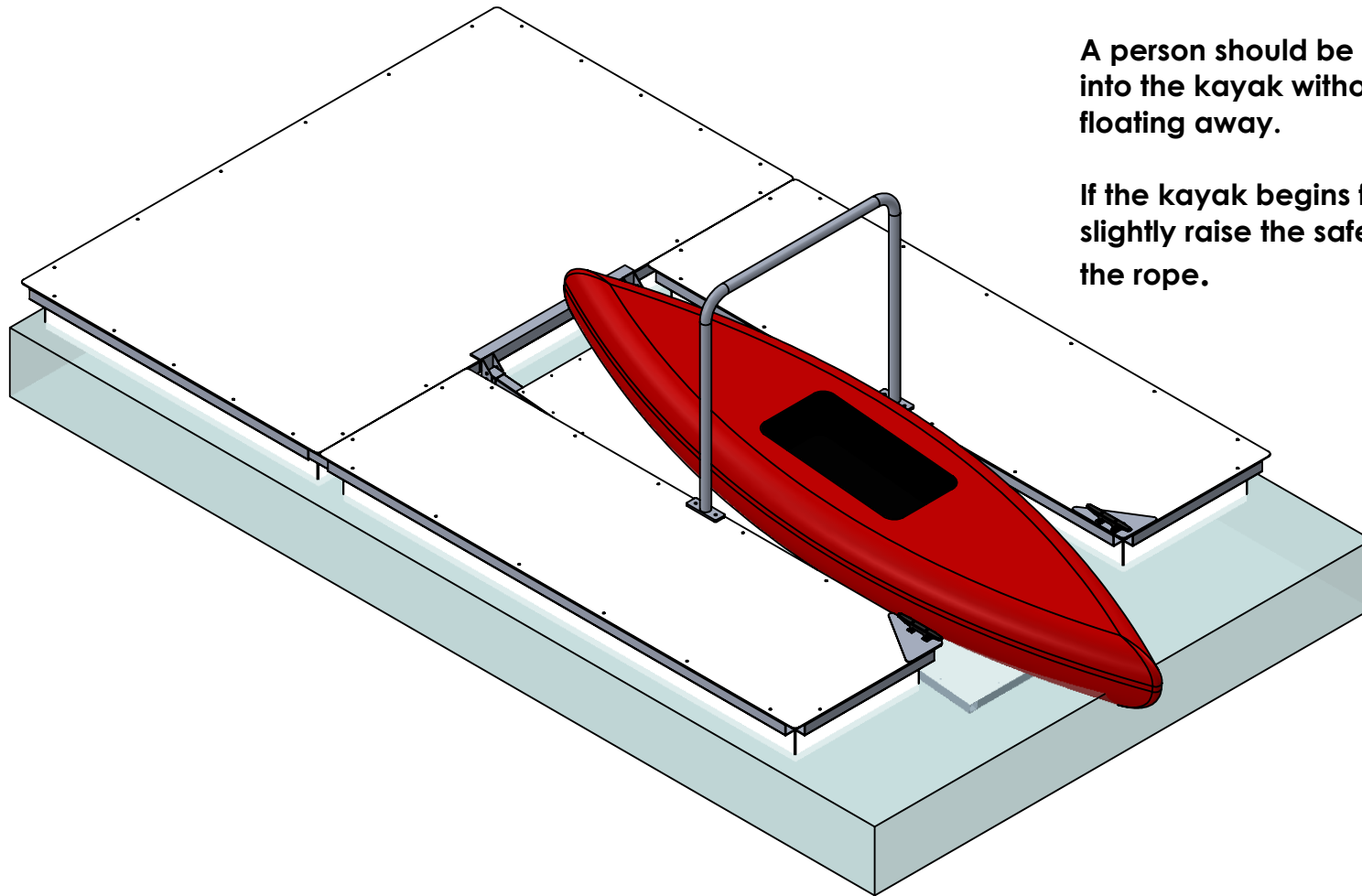
Step 2 "Placing the Kayak"

Directions:

Your kayak can now be placed on the safe launch.

A person should be able to safely step into the kayak without the kayak floating away.

If the kayak begins floating away, slightly raise the safe launch by using the rope.



PART: Safe Launches

REF #: ACC - SF

REV 1	DRAWN: C. DiBiasio
SCALE: 1:25	CHECKED: J. Harrison
SHEET 2 OF 5	DATE: 01/18/16

AccuDock
Your First Choice for Floating Dock Solutions

2

1

2

1

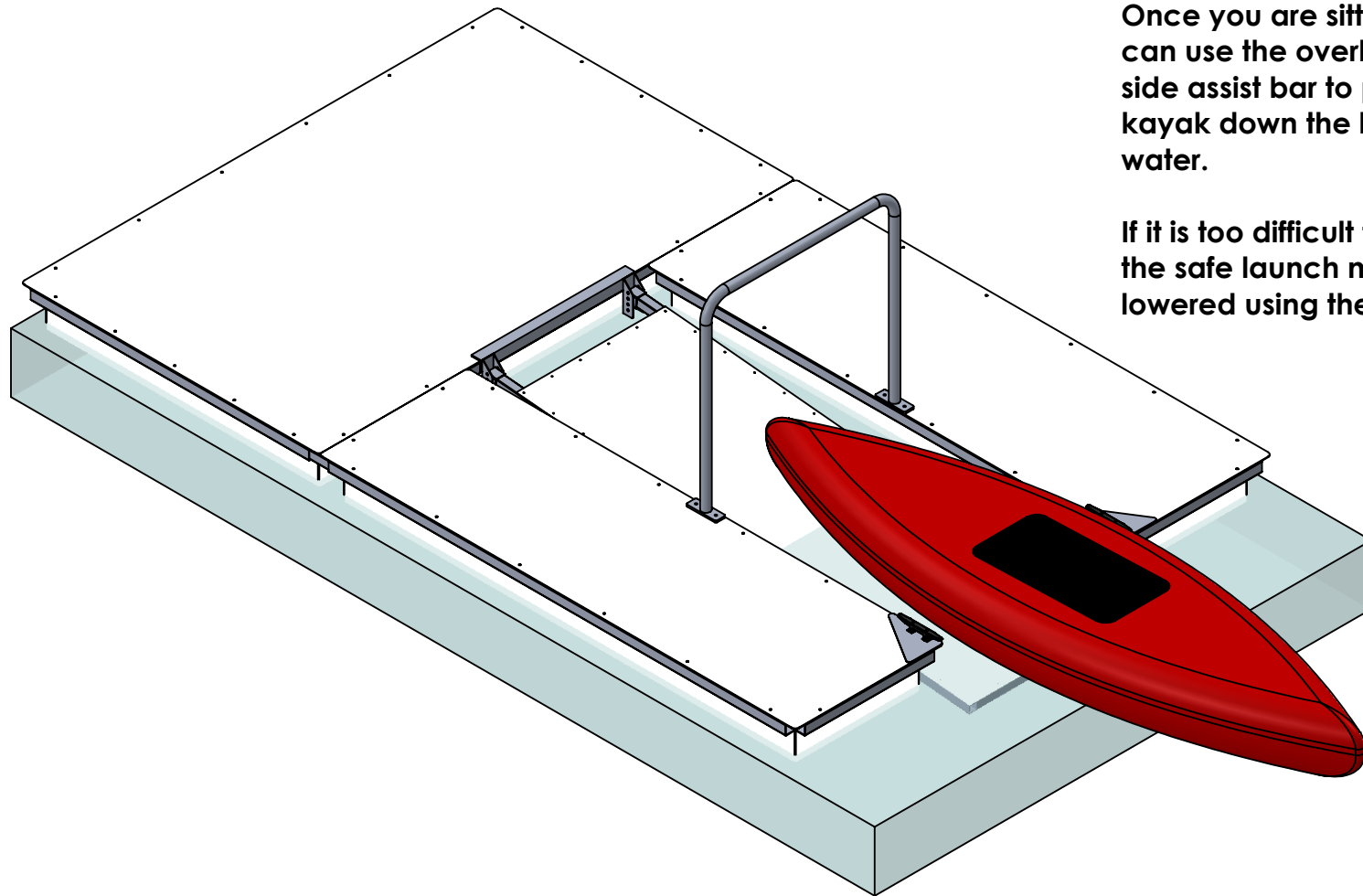
Safe Launch User Instructions

Step 3 "Launching the Kayak"

Directions:

Once you are sitting in the kayak, you can use the overhead assist bar or the side assist bar to push yourself and the kayak down the launch and into the water.

If it is too difficult to push yourself, then the safe launch must be slightly lowered using the adjustable rope.



B

B

A

A

PART: Safe Launches

REF #: ACC - SF

REV 1	DRAWN: C. DiBiasio
SCALE: 1:25	CHECKED: J. Harrison
SHEET 3 OF 5	DATE: 01/18/16

AccuDock
Your First Choice for Floating Dock Solutions

2

1

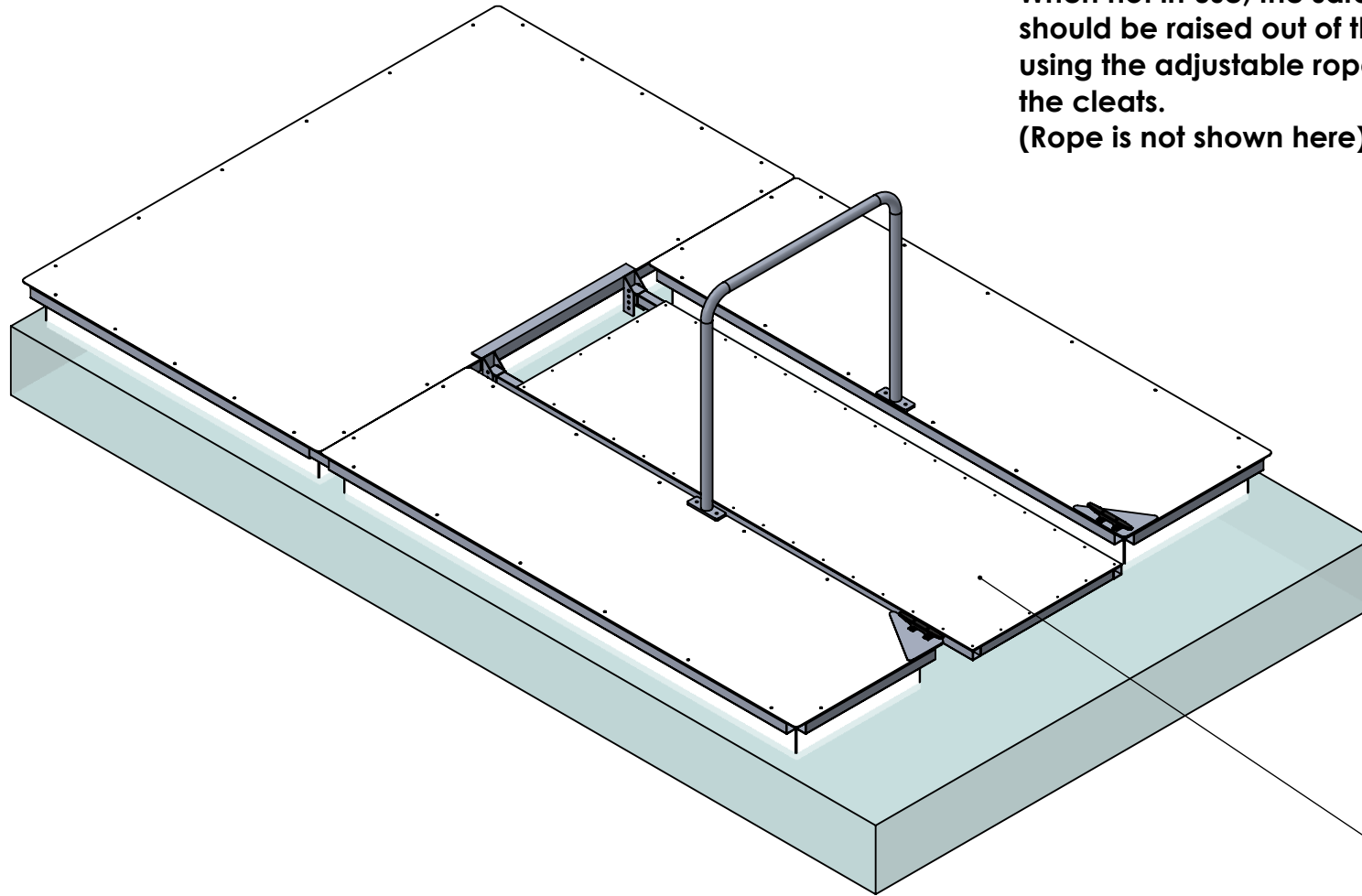
2

1

Safe Launch User Instructions
Step 4
"Storing the Safe Launch"

Directions:

When not in use, the safe launch should be raised out of the water using the adjustable rope and the cleats. (Rope is not shown here).



As shown, the safe launch should be secured so that it sits above the water. This ensures that the end of the safe launch stays nice and clean.

B

B

A

A

PART: Safe Launches

REF #: ACC - SF

REV 1	DRAWN: C. DiBiasio
SCALE: 1:25	CHECKED: J. Harrison
SHEET 4 OF 5	DATE: 01/18/16

AccuDock
 Your First Choice for Floating Dock Solutions

2

1

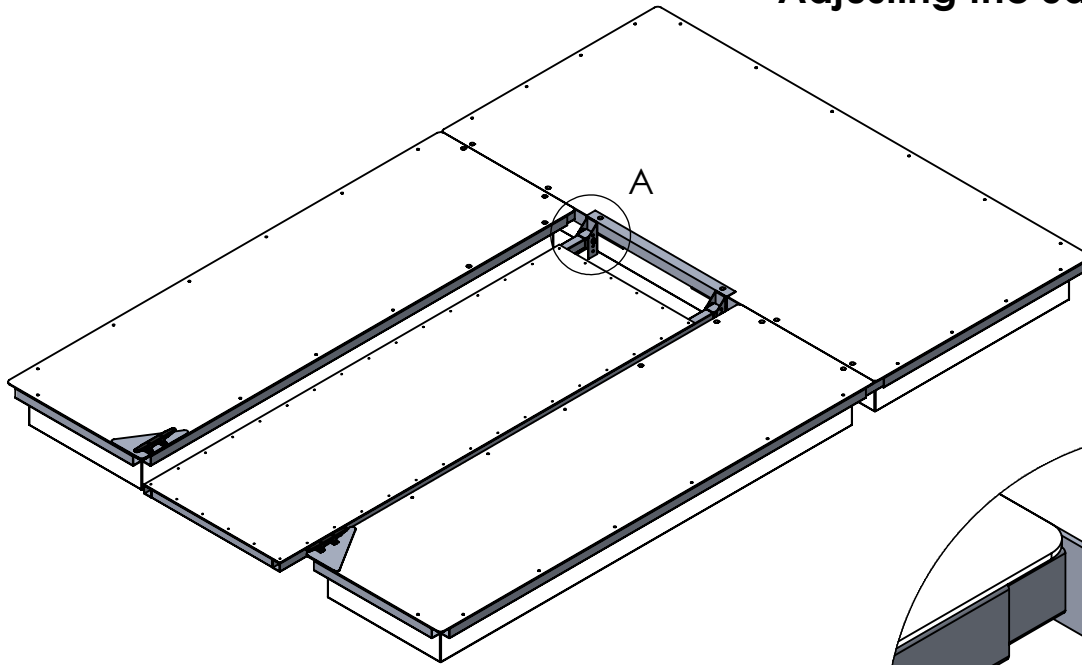
2

1

Safe Launch User Instructions

Step 5

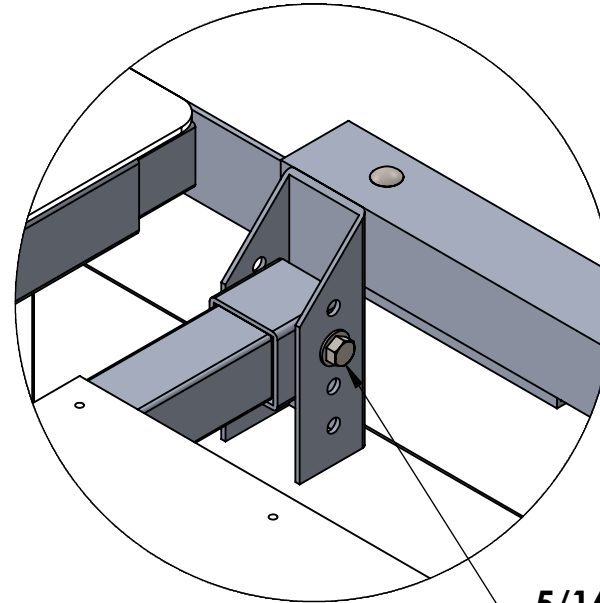
"Adjusting the Safe Launch"



Directions:

If a smooth launch can not be achieved using steps 1, 2, and 3; then the safe launch can be lowered or raised by moving the "hinging hardware" to a higher or lower hole as shown in detail A.

DETAIL A
SCALE 1 : 4



5/16" Hex Bolt
("Hinging Hardware")

B

B

A

A

PART: Safe Launches

REF #: ACC - SF

REV 1	DRAWN: C. DiBiasio
SCALE: 1:30	CHECKED: J. Harrison
SHEET 5 OF 5	DATE: 01/18/16



Your First Choice for Floating Dock Solutions

2

1